

**CUSTOM MACHINED SEALS**

[WWW.HYDRAPAKSEALS.COM](http://WWW.HYDRAPAKSEALS.COM)

# ABOUT HYDRAPAK

*Your source for high quality products and technical expertise*

Our sales/engineering team, along with our multi-million-part inventory, truly sets HydraPak apart. We deliver same-day service on standard products, as well as a quick 2-3 day turnaround on most non-stock items. Manufacturing customized seal profiles to meet your needs, our technicians can offer solutions to even the most difficult seal challenges.

Complete customer satisfaction is our goal. Customer service at HydraPak hinges on our professional and consistent staff. Our team is tenured in the industry and can guarantee a reliable, informed contact every time you call. We believe that clients are satisfied when their concerns and needs are met in a professional way. We value your feedback, as well any questions or problems, because it improves our service.

*WORLD-CLASS CUSTOMER SERVICE*



HydraPak maintains and distributes one of the largest stock of fluid power products in North America, offering all the necessary components for custom hydraulic and pneumatic applications. Established in 1976, HydraPak believes that superior products and unparalleled service are the foundation of effective business. We purchase quality inventory and meet stringent industry standards to provide the best available products. In an evolving market, we adopt best practices to stay on the edge of technology and give you the advantage of competitive pricing in the high-tech, industrial, and medical marketplaces. Online information and ordering is available at our website:

[www.hydrapakseals.com](http://www.hydrapakseals.com)



*We offer the widest variety of off-the-shelf and custom parts including:*

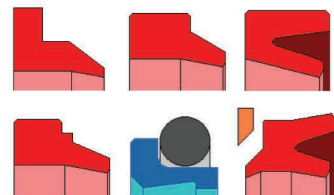
- |                  |                  |
|------------------|------------------|
| O-Rings          | Wipers           |
| Gaskets          | Rod Seals        |
| Sheet Goods      | Piston Seals     |
| Oil Seals        | Wear Rings       |
| Lip Seals        | Accessories      |
| Loaded Lip Seals | Mechanical Seals |

*OVER 100 SEAL KIT BRANDS*

# CUSTOM MACHINED SEALS

A small sample of profiles:

## WIPERS



### MATERIALS:

NBR  
EPDM  
H-PUR  
FPM  
H-NBR  
PTFE BRONZE  
& GLASS FILLED

## BACK-UPS / ANTI-EXTRUSION RINGS



### MATERIALS:

POM  
PA  
PTFE VIRGIN

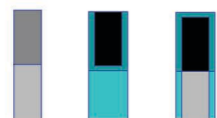
## ROD SEALS



### MATERIALS:

H-PUR  
NBR  
EPDM  
H-NBR  
FPM  
PTFE BRONZE  
& GLASS FILLED

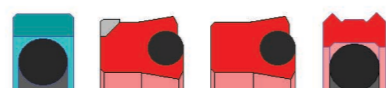
## GASKETS



## GUIDE RINGS



## PISTON SEALS



### FLAT GASKETS:

ALL MATERIALS

### O-RINGS:

HPU  
NBR  
H-NBR  
FPM  
EPDM  
PTFE VIRGIN

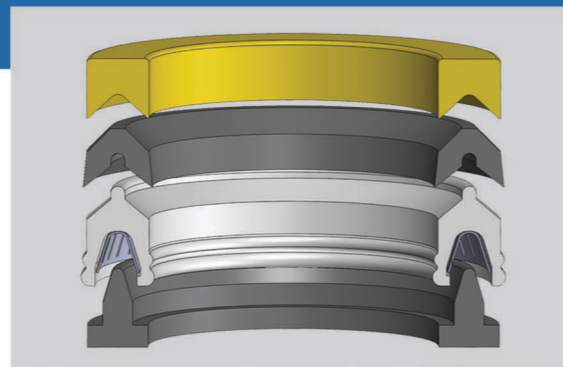
### MATERIALS:

POM  
PA  
PTFE BRONZE,  
GLASS, CARBON

### MATERIALS:

NBR  
EPDM  
H-PUR  
FPM  
H-NBR  
PTFE BRONZE  
GLASS FILLED

115 STANDARD PROFILES  
UNLIMITED CUSTOM DESIGNS



HydraPak's advanced machining centers use progressive digital and mechanical technology to manufacture your seals, gaskets, and O-rings. This technology allows production of unlimited custom designs. We employ an extensive range of materials to produce made-to-order engineered sealing for any application. To minimize your down time and loss of production, our engineering team sustains a standard, fast turnaround on parts from design, to prototype, to production, with no compromise in quality. Customized and standard machined seals are manufactured on demand without tooling charges or delays. With a comprehensive grasp of sealing applications and customer needs, HydraPak is the cost efficient sealing solution.

In our modern machine shop, we operate CNC lathes and mills with industry leading CAD/CAM software to manufacture products quickly, accurately, and efficiently. These fully programmable machines offer tailor-made solutions with seal diameters up to 42" produced in-house and up to 98" through our reliable partners. Live tooling capabilities on our lathes enable complex milling operations to minimize setups, in order to further prioritize delivery. Additionally, HydraPak uses water jet cutting technology to manufacture customized, prototype and volume gaskets. Able to cut virtually any material, our water jet is fully programmable and does not require tooling. It allows us to cut your gaskets with unbeatable accuracy, speed, and flexibility.



## CUSTOMIZED FOR YOUR NEEDS

In addition to machining custom seals, HydraPak produces non-seal shapes for practically any application, especially hydraulic and pneumatic systems. These parts include thrust washers, bushings, valve seats, grommets, square couplers, wear pads and hard plastic glide rings, all made from our large inventory of plastics and rubber materials. As many of these non-sealing applications are complex and functionally challenging, our engineering emphasizes added focus and attention to detail in their design and manufacture.



## MATERIALS OVERVIEW

### INDUSTRIES SERVED

Many industries value HydraPak machined seals:

- Aerospace
- Agriculture
- Automotive
- Chemical Processing
- Excavation
- Farming
- Fluid Power
- Food Processing
- Injection Molding
- Marine
- Medical
- Metals Processing
- Mining
- MRO
- OEM
- Off-Highway
- Oil & Gas
- Pharmaceutical
- Pulp & Paper
- Sanitary
- Semiconductor
- Steel Manufacturing



Product quality is first ensured by selecting quality materials. HydraPak features an extensive and continually expanding range of sealing materials such as EPDM, PTFE, Filled PTFE, PEEK, and HNBR. We design products from elastomers and plastics/thermoplastics to heighten application functions. From chemically compatible compounds to materials that perform in extreme environments and resist corrosion, our products are durable and offer extended seal longevity. We are dedicated to choosing the optimal materials for your applications and guarantee the outstanding performance of our products.

### STANDARD MATERIALS

EPDM	PEEK	PCTFE
NITRILE	UHMW-PE	VESPEL
SILICONE	NYLON	FPM
PTFE	URETHANE	HPU
FILLED PTFE	HNBR	POM
FKM		



HydraPak also vulcanizes, a heating and molecular bonding process that produces high quality seals with large diameter capabilities to service applications in the aerospace, defense, wind power, and fuel industries. These customized seals, sized beyond the capacity of standard machining processes, are fused together using heat, rubber adhesive, pressure, and time to chemically bond the two ends of the seal. Using a completely customized design without the cost and lead-time associated with tooling, vulcanizing ensures both visual and dimensional integrity in the seal.



ACCURACY.  
SPEED.  
FLEXIBILITY.



3532 W. GALAXY PARK PLACE  
WEST JORDAN, UTAH 84088

800.669.9638  
WWW.HYDRAPAKSEALS.COM